



PART NUMBERS

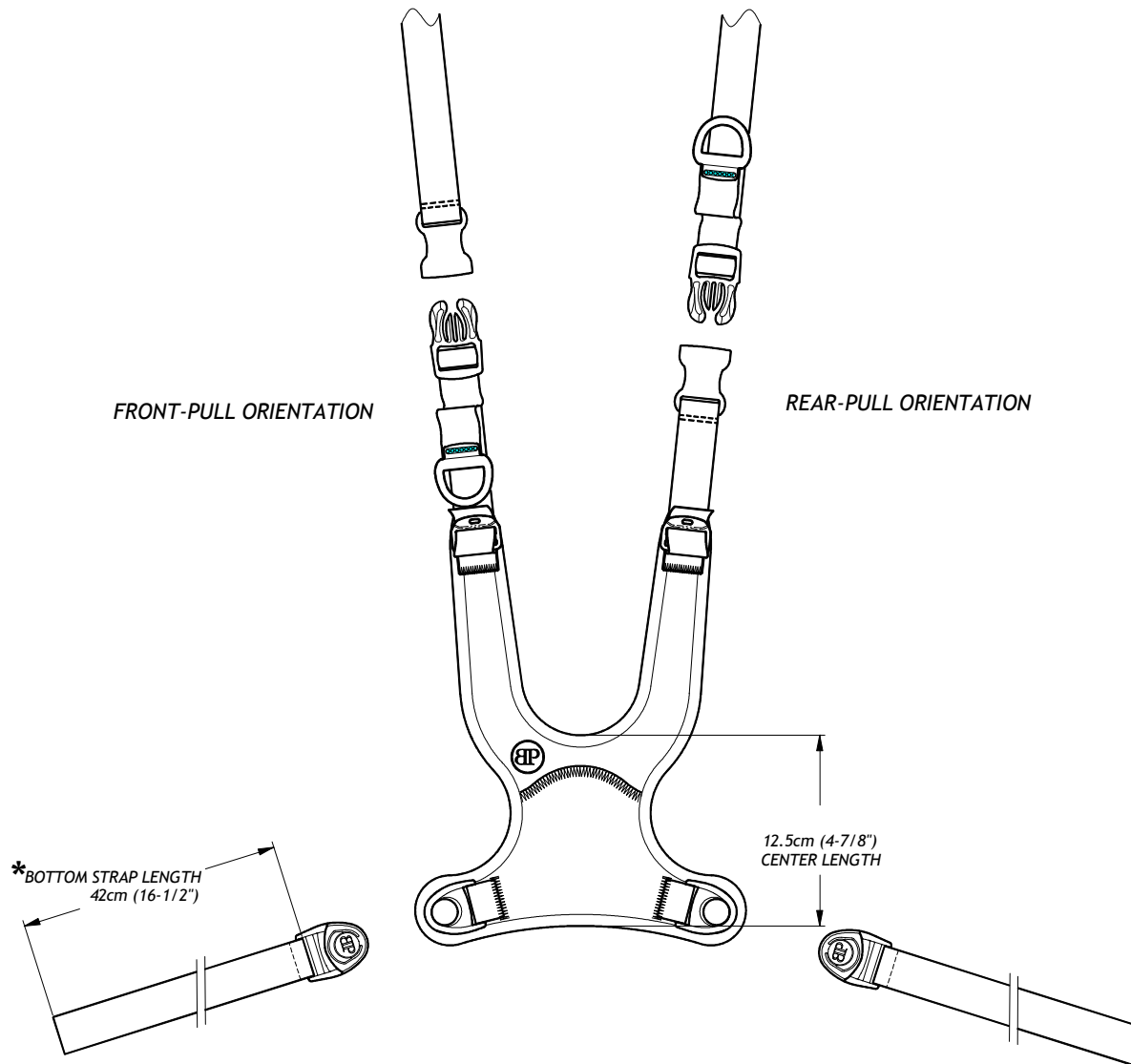
	SH351XS-B5 4 - PLASTIC FLAT-MOUNT END FITTINGS HKA31-R-1
	SH351XS-B6 4 - PLASTIC CINCH-MOUNT END FITTINGS HKA32-R-1

SHEET 1 of 2

note

REPLACEMENT BOTTOM STRAP * FOR ALL STAYFLEX SIZES		
SH303XL	FITS BODYPOINT SWIVEL BUCKLE ALL STAYFLEX SOLD AFTER FALL 2013	62cm (24-1/2") LONG

description STAYFLEX™ CHEST SUPPORT, MD SERIES, X-SMALL, TECHNICAL SPECS			
drawing no. D19-0412-30	date originated 4/12/2019	drawn by D. DOUGAL	rev. A



SHEET 2 of 2

note

description

STAYFLEX™ CHEST SUPPORT, MD SERIES, X-SMALL, TECHNICAL SPECS

drawing no.

D19-0412-30

date originated

4/12/2019

drawn by

D. DOUGAL

rev.

A